

# USER MANUAL



## DMXW2.4 WIRELESS DMX PRO 2.4GHZ SIRS-E®



## CAUTION

Keep this device away from rain and moisture!  
Unplug main lead before opening the housing!

*For your own safety, please read user manual carefully before your initial start-up.*

Every person involved with the installation, operation and maintenance of this device has to

- be qualified
- follow manual instructions
- consider this manual to be part of the total product
- keep this manual for the entire service life of the product
- pass this manual to future owner or user of the product
- download the latest version of the user manual from the internet

### 1) INTRODUCTION

Thank you for choosing DMXW2.4 product. If you follow the instruction given in this manual, we are sure that you will enjoy this device for a long period of time.

Unpack your DMXW2.4

### 2) SAFETY INSTRUCTIONS

This device has left our premises in absolutely perfect condition. In order to maintain this condition and to ensure a safe operation, it is absolutely necessary for the user to follow the safety instructions and warning notes written in this user manual.

Important:

Damages caused by the disregard of this user manual are not subject to warranty. The dealer will not accept liability for any resulting defects or problems.

Please make sure that there are no obvious transport damages. If you notice any damages on the power unit or chassis, do not take the device into operation and immediately consult your local dealer.

Always plug in the power unit last.

Keep away from heaters and other heating sources!

If the device has been exposed to drastic temperature fluctuation (e.g. after transportation), do not switch it on immediately. The arising condensation water might damage your device. Leave the device switched off until it has reached room temperature.

This device falls under protection-class III. The device always has to be operated with an appropriate transformer.

Always disconnect from the mains, when the device is not in use or before cleaning it.

Please note that damages caused by manual modifications on the device or unauthorized operation by unqualified persons are not subject to warranty.

Keep away children and amateurs from the device!

There are no serviceable parts inside the device. Maintenance and service operations are only to be carried out by authorized dealers.

### 3) OPERATING DETERMINATIONS

This device is a wireless DMX Transmitter for transmitting DMX-data without cables. This product is allowed to be operated with a direct voltage of DC 9 V, 1 A and was designed for indoor use only.

Do not shake the device. Avoid brute force when installing or operating the device.

When choosing the installation-spot, please make sure that the device is not exposed to extreme heat, moisture or dust. There should not be any cables lying around. You endanger your own and the safety of others!

This device must never be operated or stockpiled in surroundings where splash water, rain, moisture or fog may harm the device. Moisture or very high humidity can reduce the insulation and lead to mortal electrical shocks. When using smoke machines, make sure that the device is never exposed to the direct smoke jet and is installed in a distance of 0.5 meters between smoke machine and device. The room must only be saturated with an amount of smoke that the visibility will always be more than 10 meters.

The ambient temperature must always be between  $-5^{\circ}\text{C}$  and  $+45^{\circ}\text{C}$ . Keep away from direct insulation (particularly in cars) and heaters.

The relative humidity must not exceed 50 % with an ambient temperature of  $45^{\circ}\text{C}$ .

This device must only be operated in an altitude between -20 and 1000 m over NN.

Never use the device during thunderstorms. Over voltage could destroy the device. Always disconnect the device during thunderstorms.

Operate the device only after having familiarized with its functions. Do not permit operation by persons not qualified for operating the device. Most damages are the result of unprofessional operation!

Please use the original packaging if the device is to be transported.

Please consider that unauthorized modifications on the device are forbidden due to safety reasons!

Never remove the serial barcode from the device as this would make the guarantee void.

If this device will be operated in any way different to the one described in this manual, the product may suffer damages and the guarantee becomes void. Furthermore, any other operation may lead to dangers like short circuit,

burns, electric shock, etc.

#### 4) Description

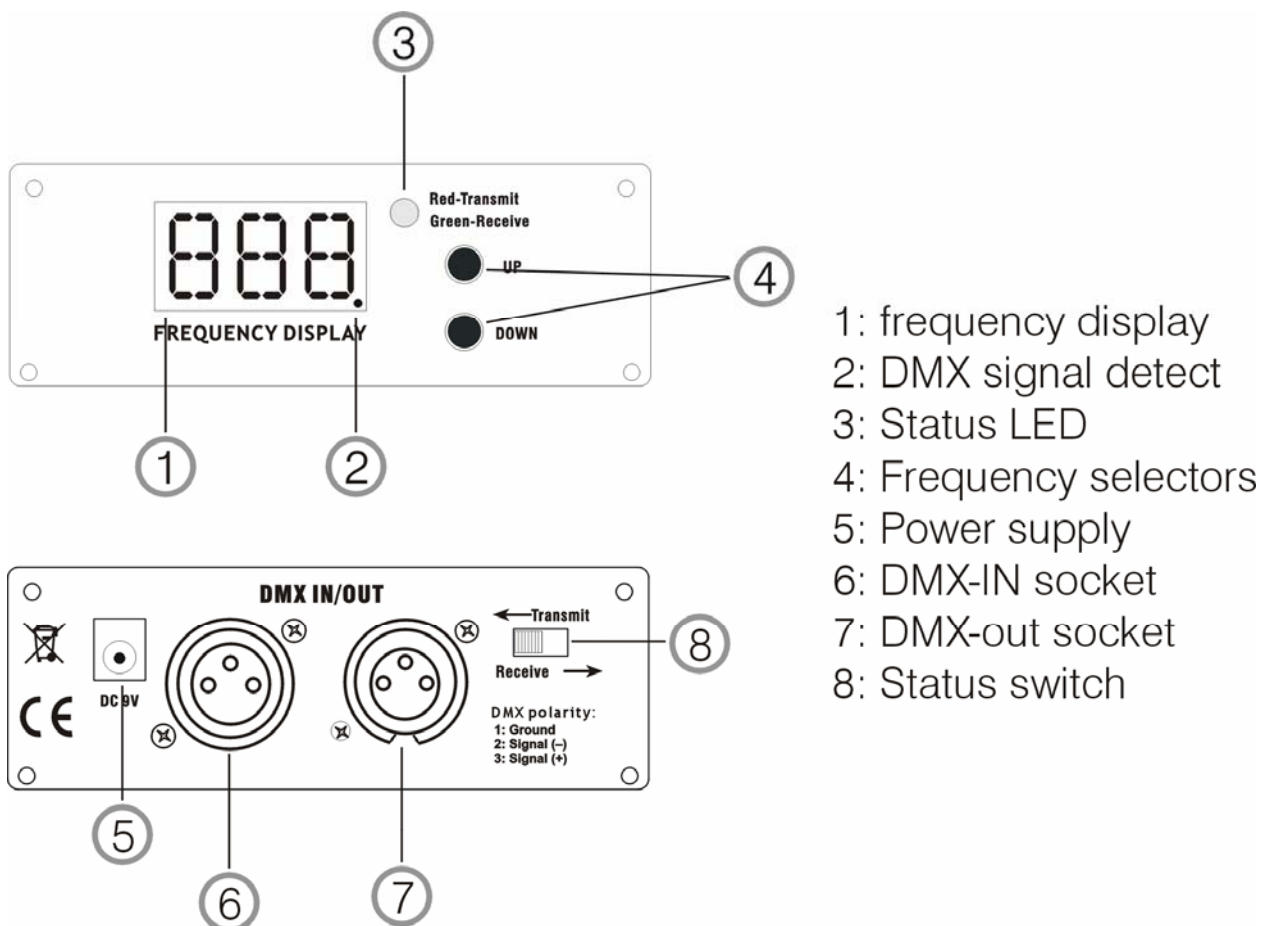
##### A. Features

Transmitter or Receiver for wireless data transmission:

- DMXW2.4 is interference-free from other wireless devices in the 2.45 GHz band such as W-LAN
- DMXW2.4 uses adaptive FHSS (Frequency Hopping Spread Spectrum) and TDMA (Time Division Multiple Access)
- One DMX2.4 supports a single DMX-512 universe with 512 DMX-channels
- Larger systems can easily be adapted to support up to 8,200 DMX channels (16 DMX-512 universes)
- Up to 8,192 receivers can be used in a DMXW2.4 system
- Frequency channel: 250

##### B. Overview

Overview on the control elements



## SETUP

### A. Installation

Install the device on a place surface.

Connect the connection cable of the power-unit with the DC IN-socket. Plug the power unit into your outlet.

With the POWER-switch, you can switch the device on and off.

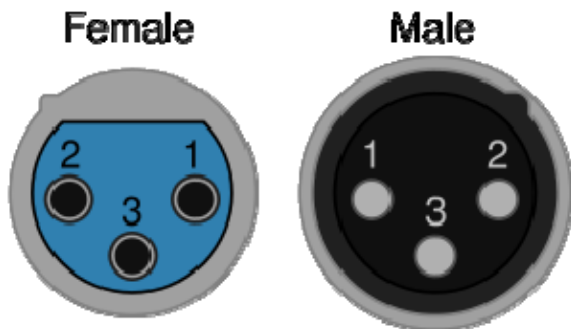
### B. DMX-512 connection

**NOTE:** The wires must not come into contact with each other, otherwise the fixtures will not work at all, or will not work properly

Only use a stereo shielded cable and 3-pin XLR-plugs and connectors in order to connect the controller with the wireless transmitter or one fixture with another.

#### Occupation of the XLR-connection:

XLR mounting socket and plug



- 1: Ground
- 2: Signal (-)
- 3: Signal (+)

If you are using controllers with this occupation, you can connect the DMX-output of the controller directly with the DMX-input of the first fixture in the DMX-chain. If you wish to connect DMX-controllers with other XLR-outputs, you need to use adapter-cables.

#### Build a Serial DMX-chain

Connect the DMX-output of the first fixture in the DMX-chain with the DMX-input of the next fixture. Always connect one output with the input of the next fixture until all fixtures are connected.

#### Operation

After you connected the device to the mains, the DMXW2.4 is ready to use.

## Wireless DMX

For wireless data transmission you need a DMX-controller, a wireless transmitter and a wireless receiver or devices with wireless receiver, respectively.

## Meaning of the LEDs and their colours

Red permanently lit: Transmitter-mode. Green permanently lit: Receive-mode, every free wireless receiver is logged into the wireless Transmitter.

## Wireless receiver Transmitter DMX Signal Pilot

DMX Signal Pilot flashes: the DMX-signal is present and transmitted.

DMX Signal Pilot no flashes: no DMX-signal, the radio link is being held.

## Installation of a transmitter DMX-system :

On the conjunction DMX-controller, connect power supply, establish Status-Switch on the Transmit position, the Status-LED grows for the red at this time bright, the DMX Signal Pilot Flash, If there is DMX-signal

## Installation of a Receive DMX-system :

On the conjunction DMX-Equipment, connect power supply, establish Status-Switch on the Receive position, the Status-LED grows for the green at this time bright, the DMX Signal Pilot Flash, If there is DMX-signal.

The channel that takes place a machine and receives a machine want to establish in the same of channel and then can work normally.

Please note: At same receive there is more than a set in the scope shoot a machine, they can't establish in the same of channel, otherwise would mutual interference.

## CLEANING AND MAINTENANCE

Disconnect from mains before starting maintenance operation!

**DANGER TO LIFE!**

We recommend a frequent cleaning of the device. Please use a soft lint-free and moistened cloth. Never use alcohol or solvents!

There are no serviceable parts inside the device. Maintenance and service operations are only to be carried out by authorized dealers.

Should you need any spare parts, please use genuine parts.

Should you have further questions, please contact your dealer.

## TECHNICAL SPECIFICATIONS:

Power supply: 100-240 V AC, 50/60 Hz ~ 9 V DC, MIN500M A power unit included in the delivery

Power consumption: 3 W

Number of control-channels: 512 (1 DMX-512 universe)

Max. number of receivers: 8,190

DMX 512-input: 3-pin XLR-plug

Frequency: 2.450 GHz

Coverage: 1000 m (with line-of-sight)

Dimensions (L x W x H): 135 x 120 x 42 mm

Weight: 1 kg

Please Note: Manual information is subject to change without prior notice.

Contact us:



**SIRS Electronics Inc.**

**Phone No: (956)522-2006**

**Fax No.: (512)493-0484**

**email: [info@sirs-e.com](mailto:info@sirs-e.com)**

**Visit our eStore: [www.sirs-e.com](http://www.sirs-e.com)**